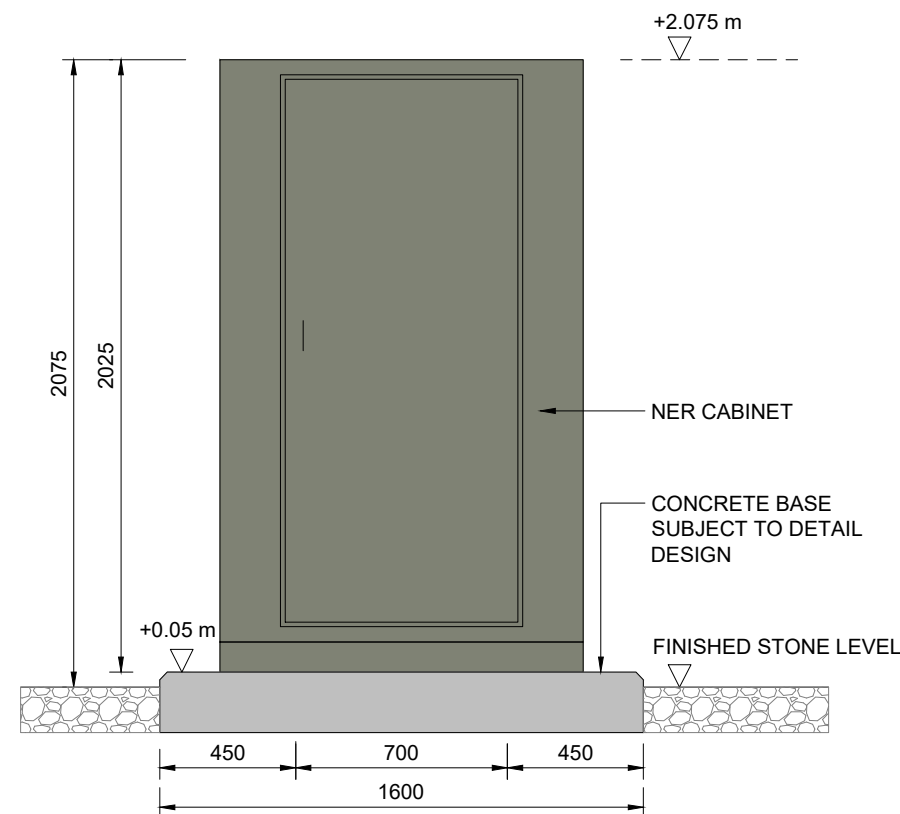
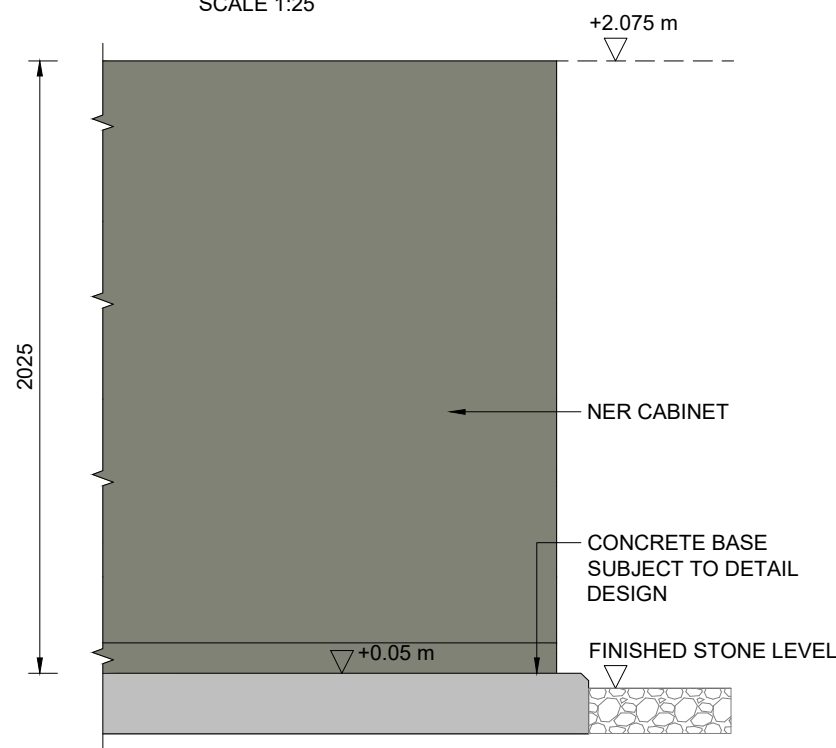


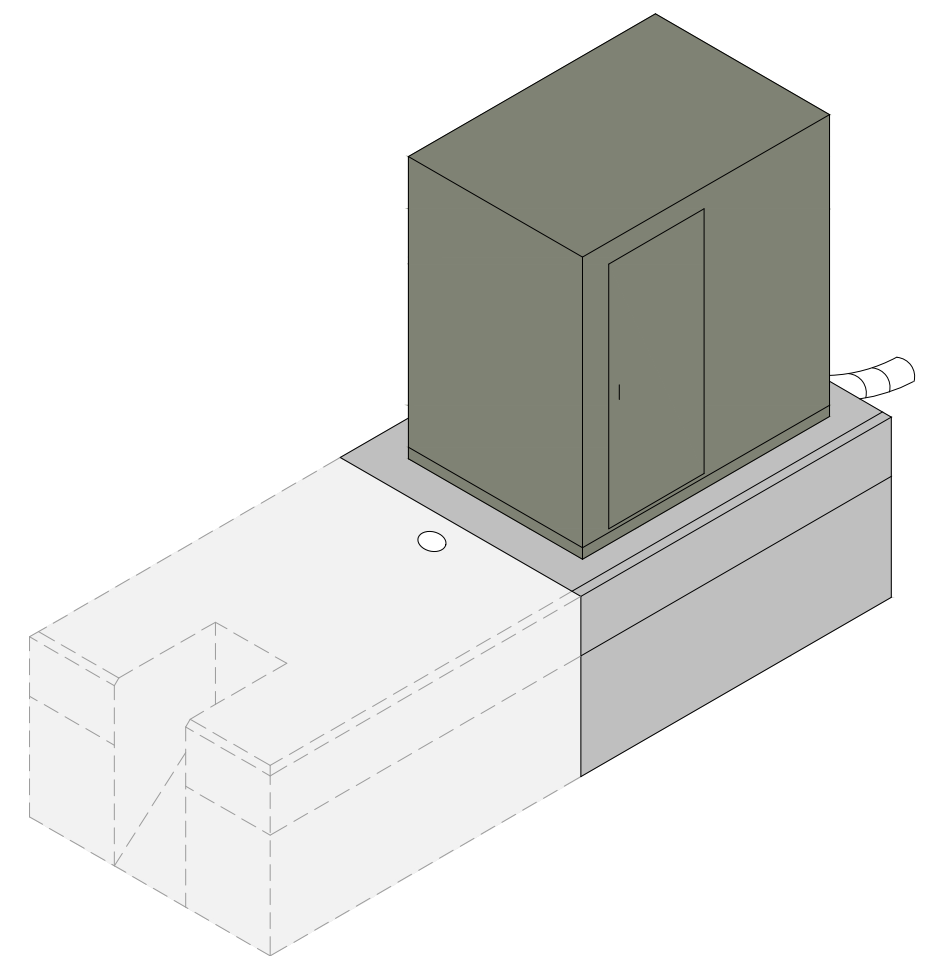
PLAN ON NER
SCALE 1:25



SECTION A-A
SCALE 1:25



SECTION B-B
SCALE 1:25



ISOMETRIC VIEW
NTS

NOTES:

1. ALL DIMENSIONS IN mm UNLESS OTHERWISE STATED. NO DIMENSIONS SHALL BE SCALED FROM THE DRAWINGS.
2. LEVELS PROVIDED ON THIS DRAWING ARE SHOWN RELATIVE TO FINISHED STONE LEVEL. FOR SITE SPECIFIC LEVELS, REFER TO SITE SECTIONS AND ELEVATIONS.
3. THIS DRAWING IS FOR PLANNING PURPOSES ONLY AND NOT FOR CONSTRUCTION.

Rev	Date	Revision description	Drn.	Prod.	Ver.	App.
1	FEB 26	MINOR MODIFICATIONS				
0	JUL 25	ISSUED FOR PLANNING				

Purpose of issue - Preliminary unless indicated

Client Approval Planning Tender Construction As-Built



Engineering and Major Projects,
One Dublin Airport Central,
Dublin Airport, Cloughran,
Co. Dublin, K67 XF72, Ireland.
Tel: 353 1 703 8000 Web: www.esb.ie
Engineering and Major Projects is a
division of ESB.

Client	ESB NETWORKS
Project	General Civil Drawings and Notes
Contract	

Drawing title	GENERAL DRAWINGS AND NOTES PLANNING TYPICAL NER DETAILS
Production unit	Transmission and Distribution Delivery

COPYRIGHT © ESB
ALL RIGHTS RESERVED. NO PART OF THIS WORK MAY BE MODIFIED, REPRODUCED OR COPIED IN ANY FORM OR BY ANY MEANS
GRAPHIC, ELECTRONIC OR MECHANICAL, INCLUDING PHOTOCOPIING, RECORDING, TAPING OR USED FOR ANY PURPOSE
OTHER THAN ITS DESIGNATED PURPOSE, WITHOUT THE WRITTEN PERMISSION OF ESB.

Drawn	Produced	Verified	Approved	Approval date
M.Malinowska	L.McManus	R.OToole	S. Donnelly	24/02/2026
Client ref.		No. of sheets	Size	Scale
TC234181		1	A3	AS SHOWN
Drawing number				SHEET REV
PG406-D100-088-007-001				